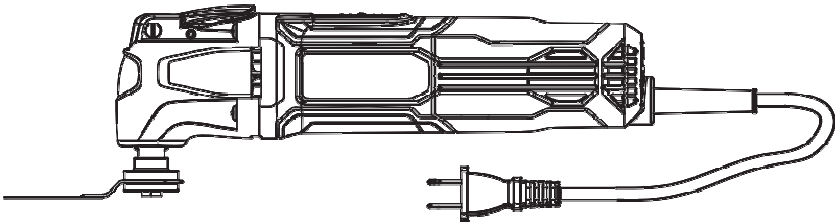


# FastCraft®

## Oscillating Multi Tool

86225-1


Instruction Manual  
and Warranty Card



### PRODUCT SPECIFICATIONS

Sales territory	North America
Voltage:	120 V, 60 Hz AC
Power:	2.4 A (5.0 Amp Peak)
Variable speed:	11,000–21 000 RPM (no load)
Oscillating angle:	3.2°
Weight:	3.70 lbs. (1.68 kg)

# GENERAL SAFETY WARNINGS

 **WARNING:** Before using this tool or any of its accessories, read this manual and follow all Safety Rules and Operating Instructions. The important precautions, safeguards and instructions appearing in this manual are not meant to cover all possible situations. It must be understood that common sense and caution are factors which cannot be built into the product.

## EYE, EAR & LUNG PROTECTION



**ALWAYS WEAR EYE PROTECTION.**

FLYING DEBRIS can cause permanent eye damage. Prescription eyeglasses ARE NOT a replacement for proper eye protection.



**WARNING:** Non-compliant eyewear can cause serious injury if broken during the operation of a power tool.



**WARNING:** Use hearing protection, particularly during extended periods of operation of the tool, or if the operation is noisy.



**WEAR A DUST MASK THAT IS DESIGNED TO BE USED WHEN OPERATING A POWER TOOL IN A DUSTY ENVIRONMENT.**



**WARNING:** Dust that is created by power sanding, sawing, grinding, drilling, and other construction activities may contain chemicals that are known to cause cancer, birth defects, or other genetic abnormalities. These chemicals include:

Lead from lead-based paints

Crystalline silica from bricks, cement, and other masonry products

Arsenic and chromium from chemically treated lumber

The level of risk from exposure to these chemicals varies, according to how often this type of work is performed. In order to reduce exposure to these chemicals, work in a well-ventilated area, and use approved safety equipment, such as a dust mask that is specifically designed to filter out microscopic particles.

## ELECTRICAL SAFETY



**WARNING:** To avoid electrical hazards, fire hazards or damage to the tool, use proper circuit protection.

To avoid shock or fire, replace power cord immediately if it is worn, cut or damaged in any way.

# POWER TOOL SAFETY

**⚠ WARNING: Read all safety warnings and instructions.** Failure to follow the warnings and instructions may result in electric shock, fire and/or serious injury.

**Save all warnings and instructions for future reference.**

## Work area safety

**Keep work area clean and well lit.** Cluttered or dark areas invite accidents.

**Do not operate power tools in explosive atmospheres, such as in the presence of flammable liquids, gases or dust.** Power tools create sparks which may ignite the dust or fumes.

**Keep children and bystanders away while operating a power tool.** Distractions can cause you to lose control.

## Electrical safety

**Power tool plugs must match the outlet. Never modify the plug in any way. Do not use any adapter plugs with earthed (grounded) power tools.** Unmodified plugs and matching outlets will reduce risk of electric shock.

**Avoid body contact with earthed or grounded surfaces such as pipes, radiators, ranges and refrigerators.** There is an increased risk of electric shock if your body is earthed or grounded.

**Do not expose power tools to rain or wet conditions.** Water entering a power tool will increase the risk of electric shock.

**Do not abuse the cord. Never use the cord for carrying, pulling or unplugging the power tool. Keep cord away from heat, oil, sharp edges or moving parts.** Damaged or entangled cords increase the risk of electric shock.

**When operating a power tool outdoors, use an extension cord suitable for outdoor use.** Use of a cord suitable for outdoor use reduces the risk of electric shock.

**If operating a power tool in a damp location is unavoidable, use a residual current device (RCD) protected supply.** Use of a ground fault circuit interrupter (GFCI) reduces the risk of electric shock.

## Personal safety

**Stay alert, watch what you are doing and use common sense when operating a power tool. Do not use a power tool while you are tired or under the influence of drugs, alcohol or medication.** A moment of inattention while operating power tools may result in serious personal injury.

**Use personal protective equipment.**

**Always wear eye protection.** Protective equipment such as dust mask, non-skid safety shoes, hard hat, or hearing protection used for appropriate conditions will reduce personal injuries.

**Prevent unintentional starting. Ensure the switch is in the off-position before connecting to power source and/or battery pack, picking up or carrying the tool.**

Carrying power tools with your finger on the switch or energizing power tools that have the switch on invites accidents.

**Remove any adjusting key or wrench before turning the power tool on.** A wrench or a key left attached to a rotating part of the power tool may result in personal injury.

**Do not overreach. Keep proper footing and balance at all times.** This enables better control of the power tool in unexpected situations.

**Dress properly. Do not wear loose clothing or jewelry. Keep your hair, clothing and gloves away from moving parts.** Loose clothes, jewelry or long hair can be caught in moving parts.

**If devices are provided for the connection of dust extraction and collection facilities, ensure these are connected and properly used.** Use of dust collection can reduce dust-related hazards.

# POWER TOOL SAFETY

*PERSONAL SAFETY – cont'd*

## **Power tool use and care**

**Do not force the power tool. Use the correct power tool for your application.**

The correct power tool will do the job better and safer at the rate for which it was designed.

**Do not use the power tool if the switch does not turn it on and off.** Any power tool that cannot be controlled with the switch is dangerous and must be repaired.

**Disconnect the plug from the power source and/or the battery pack from the power tool before making any adjustments, changing accessories, or storing power tools.** Such preventive safety measures reduce the risk of starting the power tool accidentally.

**Store idle power tools out of the reach of children and do not allow persons unfamiliar with the power tool or these instructions to operate the power tool.** Power tools are dangerous in the hands of untrained users.

**Maintain power tools. Check for misalignment or binding of moving parts, breakage of parts and any other condition that may affect the power tool's operation. If damaged, have the power tool repaired before use.** Many accidents are caused by poorly maintained power tools.

**Keep cutting tools sharp and clean.** Properly maintained cutting tools with sharp cutting edges are less likely to bind and are easier to control.

**Use the power tool, accessories and tool bits etc. in accordance with these instructions, taking into account the working conditions and the work to be performed.** Use of the power tool for operations different from those intended could result in a hazardous situation.

**Hold power tool by insulated gripping surfaces when performing an operation where the cutting tool may contact hidden wiring or its own cord.** Contact with a "live" wire will make exposed metal parts of the tool "live" and shock the operator.

**Use clamps or another practical way to secure and support the work piece to a stable platform.** Holding the work by hand or against your body leaves it unstable and may lead to loss of control.

## **Service**

**Have your power tool serviced by a qualified repair person using only identical replacement parts.** This will ensure that the safety of the power tool is maintained.

## EXTENSION CORD SAFETY

**⚠ WARNING:** Keep the extension cord clear of the working area. Position the cord so it will not get caught on the work piece, tools or any other obstructions while you are working with the power tool.

Make sure any extension cord used with this tool is in good condition. When using an extension cord, be sure to use one of heavy enough gauge to carry the current the tool will draw. An undersized cord will cause a drop in line voltage resulting in loss of power and overheating.

The table at right shows the correct size to use according to cord length and nameplate ampere rating. If in doubt, use the next heavier gauge. The smaller the gauge number the heavier the cord.

Be sure your extension cord is properly wired and in good condition. Always replace a damaged extension cord or have it repaired by a qualified electrician before using it. Protect your extension cord from sharp objects, excessive heat and damp or wet areas.

Use a separate electrical circuit for your power tools. This circuit must not be less than 14 gauge wire and should be protected with either a 15 AMP time delayed fuse or circuit breaker. Before connecting the power tool to the power source, make sure the switch is in the OFF position and the power source is the same as indicated on the nameplate. Running at lower voltage will damage the motor.

**⚠ WARNING:** Repair or replace damaged or worn extension cords immediately.


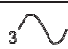

Select the appropriate extension cord gauge and length using the chart below.

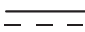








When operating a power tool outdoors, use an outdoor extension cord marked “W-A” or “W”. These cords are rated for outdoor use and reduce the risk of electric shock.

**⚠ WARNING:** Keep the extension cord clear of the working area. Position the cord so it will not get caught on the work piece, tools or any other obstructions while you are working with the power tool.

# SYMBOLS

**⚠ WARNING:** Some of the following symbols may appear on the multi tool. Study these symbols and learn their meaning. Proper interpretation of these symbols will allow for more efficient and safer operation of this tool.

V	Volts
A	Amperes
Hz	Hertz
W	Watts
kW	Kilowatts
μF	Microfarads
L	Liters
kg	Kilograms
H	Hours
N/cm <sup>2</sup>	Newtons per square centimeter
Pa	Pascals
OPM	Oscillations per minute
Min	Minutes
S	Seconds
 or a.c.	Alternating current
	Three-phase alternating current
	Three-phase alternating current with neutral

	Direct current
$n_0$	No load speed
	Alternating or direct current
	Class II construction
	Splash-proof construction
	Watertight construction
	Protective grounding at grounding terminal, Class I tools
-./mi	Revolutions or reciprocations per minute
∅	Diameter
0	Off position
	Arrow
	Warning symbol
	Wear your safety glasses



This symbol designates that this tool is listed with U.S. requirements by Underwriters Laboratories. Conforms to UL Std. 62841-1:2015 Ed.1 Certified to CAN/CSA Std.C22.2 N 62841-2-4:2015 Ed.1

## SPECIFIC SAFETY RULES

**⚠ WARNING:** Know your oscillating tool. Do not plug the tool into the power source until you have read and understand this Instruction Manual. Learn the tool's applications and limitations, as well as the specific potential hazards related to this tool. Following this rule will reduce the risk of electric shock, fire, or serious injury.



Always wear eye protection. Any power tool can throw foreign objects into your eyes and cause permanent eye damage. **ALWAYS**

wear safety goggles (not glasses). Everyday glasses have only impact resistant lenses. They **ARE NOT** safety glasses.

Always keep hands out of the path of the saw blade. Avoid awkward hand positions where a sudden slip could cause your hand to move into the path of the saw blade.

Secure work-piece. Use clamps or a vice to hold the work-piece. It is safer than using your hand and it frees both hands to operate the tool.

Make sure there are no nails or foreign objects in the part of the work-piece to be cut or sanded.

To avoid injury from accidental starting, always remove the plug from the power source before installing or removing an accessory.

Never use dull blades in the tool. They will cut slower, leave rough cuts and break easily due to added pressure and excessive heat. They will also overload the motor and cause premature failure of the tool.

Never use damaged or bent blades. They will be brittle and break easily possibly causing injury to the operator.

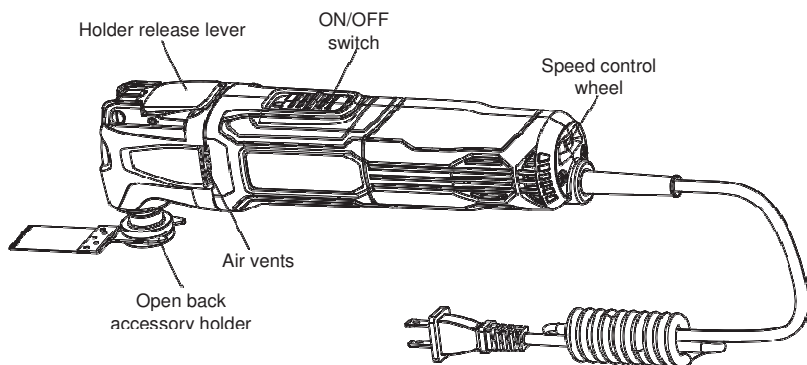
Never touch a saw blade immediately after using the tool. The blade will be extremely hot and will burn your hand.

Only use accessories designed for use with this tool.

**SAVE THESE INSTRUCTIONS FOR REFERENCE**



# KNOW YOUR OSCILLATING-TOOL



# ASSEMBLY AND OPERATING

**NOTE:** The drawings in the assembly and operating section of this manual may differ slightly from the tool you purchased.

## INSTALLING ACCESSORIES

All accessories are installed on this oscillating tool in a similar manner. For the purposes of describing the accessory installation, the triangular sanding pad and the metal cutting blade have been illustrated.

**⚠ DANGER:** Always remove the plug from the power source before installing or removing accessories or sandpaper. Failing to remove the plug from the power source may result in the tool accidentally being started and causing serious injury to the operator.

This oscillating tool has been only designed for use with open back accessories.

### Installing open back accessories

1. Lift the tool less accessory holder release lever (4) up and toward the front of the tool as far as it will go (5) (Fig. 2).

**NOTE:** This will open the tool less blade holder (6) to accept the accessory.

2. Insert the accessory mount (7) into the opened accessory holder.
3. Align the accessory mounting slots and holes with the accessory mounting teeth (8) in the accessory holder.

**NOTE:** The slots and holes in the accessory must be engaged with the matching teeth on the accessory holder to allow the accessory to be secured within the accessory holder.

4. Move the tool less accessory release lever back to its original position (4) to clamp the accessory into the accessory holder.

**NOTE:** Check to make sure the accessory mounting pins are still aligned with the slots and holes in the accessory mount.

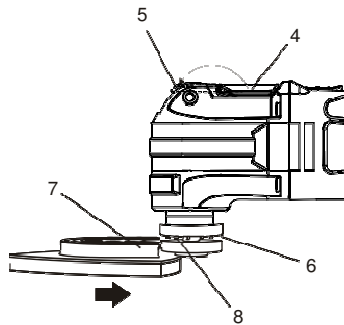
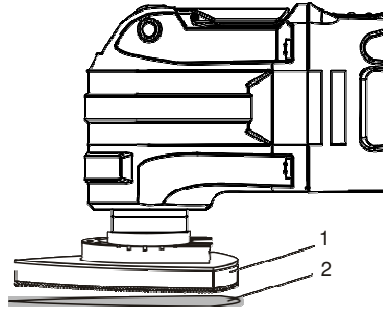


Fig. 2

# ASSEMBLY AND OPERATING

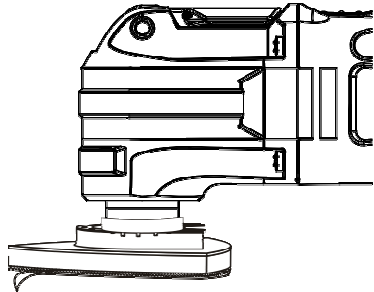
## NOTES:

- a) Place the sandpaper so the holes in the sandpaper line up with the matching holes in the hook & loop pad.
- b) Press the sandpaper firmly onto the hook & loop pad.



**Fig. 4**

3. To remove the sandpaper, simply peel the sandpaper away from the hook & loop pad (Fig. 5).



**Fig. 5**

## INSTALLING SANDPAPER

1. Install the hook & loop sanding pad (1) onto the tool (Fig. 4).
2. Firmly press the sandpaper (2) onto the hook & loop pad.

## ON/OFF SWITCH

1. To turn the tool ON, slide the ON/OFF switch (1) toward the front of the tool (Fig. 6).
2. To turn the tool OFF, slide the ON/OFF switch toward the rear of the tool.

# ASSEMBLY AND OPERATING

## ON/OFF SWITCH – cont'd

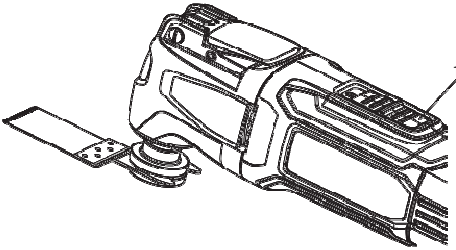


Fig. 6

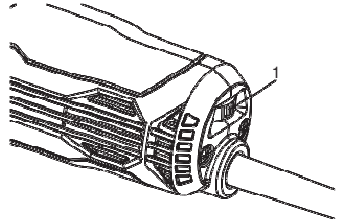


Fig. 7

## SPEED CONTROL WHEEL

The speed of the tool can be adjusted to run the tool at speeds varying between 11,000 OPM and 21,000 OPM by rotating the speed control wheel (1) located toward the rear of the tool housing (Fig. 7).

1. To increase the speed, rotate the speed control wheel to the right.
2. To decrease the speed, rotate the speed control wheel to the left.

**NOTE:** Speed #1 is the lowest speed. “MAX” is the highest speed.

The optimal speed setting will vary depending upon the type of accessory being used, the surface being worked and the complexity of the project. For general recommendations, see the chart on the following page.

Project	Accessory	Speed
Balsa wood	Wood blade	Low
Drywall	Half moon blade	Maximum
Restoring windows	Half moon blade	Medium
Door jamb	Steel/Wood blade	Maximum
Door casing	Steel/Wood blade	Med / max
Wood dowels	Steel/Wood blade	Maximum
Floor vent	Steel/Wood blade	Med / max
PVC pipe	Steel/Wood blade	Medium
Glued flooring	Scraper	Medium
Sanding	Sander	Med / max

# ASSEMBLY AND OPERATING

## **WARNING**

For safety reasons, the operator must read the sections of this Owner's manual entitled "GENERAL SAFETY WARNINGS", "POWER TOOL SAFETY", "SPECIFIC SAFETY RULES" and "SYMBOLS" before using this oscillating tool.

Verify the following every time the oscillating tool is used:

1. Safety glasses, safety goggles, or face shield are being worn.
2. Hearing protection is being worn.
3. The blade or sandpaper is in good condition.
4. The accessory is properly tightened onto the accessory holder of the tool.

Failure to observe these safety rules will significantly increase the risk of injury.

## FLUSH CUTTING A DOOR JAMB AND CASING FOR INSTALLING FLOORING

The oscillating tool can be used to flush cut a door jamb and casing to allow space for the new flooring to fit neatly under the door jamb and casing. For the purpose of demonstrating the procedure, floor tile is being used.

1. Install the end cutting saw blade for wood in the tool (Fig. 1 & 2 on Pages 9 & 10).

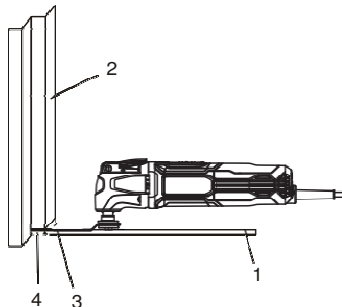
**NOTE:** The blade should be centered on the tool housing and NOT installed in the 90° position.

2. Place a scrap piece of floor tile (1) on the floor about 1/2" (12.5 mm) from the door jamb (2) (Fig. 8).

**NOTE:** Make sure the "good" side of the tile is facing upward to provide a smooth surface for the blade to follow.

3. Place the tool with the saw blade (3) lightly touching the surface of the tile and the cutting teeth NOT touching the surface to be cut.
4. Set the speed to the fastest speed (Fig. 7 on Page 11).
5. Turn the tool ON (Fig. 6 on Pages 10 & 11).
6. When the tool reaches its maximum set speed, carefully plunge the blade into the door jamb while sliding the blade along the floor tile.

**NOTE:** Hold the tool tightly and do not put too much forward pressure on the saw blade when cutting, as this will cause the tool to vibrate excessively.



**Fig. 8**

7. Continue to make several plunge cuts until the bottom of the door jamb and casing are completely cut off and the loose pieces (4) can be easily removed.

Follow the same basic procedure for installing carpet, using a thicker spacer that is the same thickness of the carpet being installed.

# ASSEMBLY AND OPERATING

## CUTTING A HOLE IN WOOD FLOORING TO INSTALL A HEATING VENT

The oscillating tool can be used to cut a hole in wood flooring for installing a heating vent.

1. Install the plunge cutting saw blade for wood in the tool (Fig. 1 & 2 on Pages 9 & 10).

**NOTE:** The blade should be centered on the tool housing and NOT installed in the 90° position.

2. Place the floor vent on the floor and use a soft lead pencil to trace the required rectangular hole (1) on the flooring (Fig. 10).
3. Place the saw blade (2) near the floor surface in the middle of one of the cutting lines.
4. Set the tool speed at a medium speed (Fig. 8 on Page 12).
5. Turn the tool ON (Fig. 6 on Pages 11 & 12).

**NOTE:** The tool and blade should be at a 45° angle to the floor to allow the corner of the blade to plunge cut into the flooring.

6. While holding the tool tightly, slowly plunge the corner of the blade into the flooring until it cuts through the flooring. Once the plunge cut is complete, set the tool to its highest speed and complete the cut to the corner of the rectangle.
7. Turn the saw OFF, remove it from the cut and proceed to cut in the opposite direction to complete the cut for the first side of the rectangle.
8. Repeat steps #4, #5 & #6 to cut the remaining three sides of the rectangle.
9. When all cuts are complete, use a flat blade screw driver to carefully pry the cut-out from the floor.

**NOTE:** Do NOT use the saw blade to pry the cut-out from the floor. You will break the blade. If the cut-out is not easy to pry from the floor, check to make sure each line is cut completely into the corner of the rectangle.

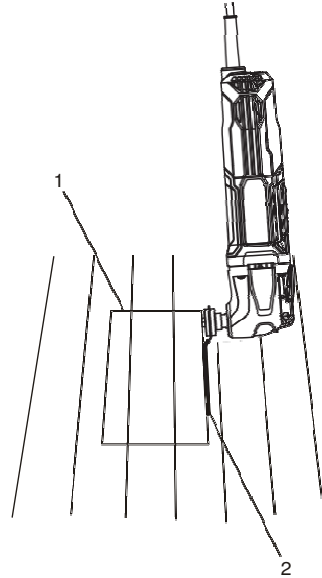


Fig. 9

## CUTTING A HOLE IN DRYWALL FOR INSTALLING AN ELECTRICAL OUTLET BOX

The oscillating tool can be used to cut a hole in drywall for installing an electrical outlet box.

1. Install the half circle saw blade for wood & drywall in the tool (Fig. 1 & 2 on Pages 9 & 10).

**NOTE:** The blade should be centered on the tool housing and NOT installed in the 90° position.

2. Place the outlet box on the drywall and use a soft lead pencil to trace the required rectangular hole (1) on the drywall (Fig. 10).

# ASSEMBLY AND OPERATING

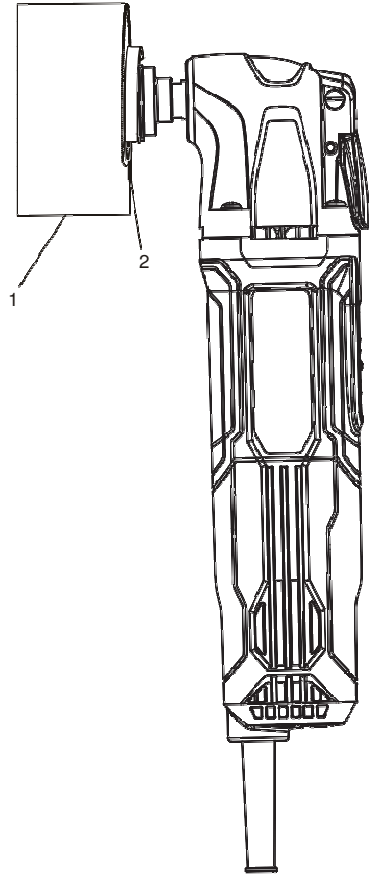
## CUTTING A HOLE IN DRYWALL FOR INSTALLING AN ELECTRICAL OUTLET BOX— cont'd

3. Place the corner edge of the saw blade (2) near the drywall in the middle of one of the cutting lines.
4. Set the speed to the highest speed (Fig. 7 on Page 11).
5. Turn the tool ON (Fig. 6 on Pages 10 & 11).
6. When the tool reaches its maximum speed, carefully plunge the blade into the drywall until it cuts through the drywall. Complete the cut to the corner of the rectangle.

**NOTE:** Hold the tool tightly and do not put too much pressure on the saw blade when cutting.

7. Turn the saw OFF, remove it from the cut and proceed to cut in the opposite direction to complete the cut for the first side of the rectangle.
8. Repeat steps #4, #5 & #6 to cut the remaining three sides of the rectangle.
9. When all cuts are complete, use a flat blade screw driver to carefully pry the cut-out from the drywall.

**NOTE:** Do not use the saw blade to pry the cut-out from the drywall. You will break the blade. If the cut-out is not easy to pry from the drywall, check to make sure each line is cut completely into the corner of the rectangle.



**Fig. 10**

# ASSEMBLY AND OPERATING

## USING THE DETAIL SANDER ATTACHMENT

1. Install the sanding pad on the oscillating tool (Fig. 1 & 2 on Pages 9 & 10)
2. Install the sandpaper on the sanding pad (Fig. 4 on Page 10).
3. Set the speed control wheel between #5 and MAX (Fig. 7 on Page 11).
4. Turn the switch ON (Fig. 6 on Pages 10 & 11).

This tool is designed for detail sanding on small surface areas. Place the sandpaper surface of the sanding pad on the work piece to be sanded. Keep the tool moving to avoid gouging the surface. Use coarse sandpaper and lower speeds when sanding rough surfaces and for removing previous finishes. Use fine sandpaper and higher speeds to produce the smoothest surface.

## USING THE SCRAPER BLADE

1. Install the scraper blade on the oscillating tool (Fig. 1 & 2 on Pages 9 & 10 ).
2. Set the speed control wheel to #4 (Fig. 7 on Page 11).
3. Turn the switch ON (Fig. 6 on Pages 10 & 11).

When using the scraper blade to scrape old finishes or glue from a work piece, place the under side of the blade flat on the work piece surface and then lift upward on the rear of the tool to allow the blade to form a very slight angle with the work piece surface. Feed the blade slowly into the material that is to be removed. Do not force the tool as slower travel speeds will produce better cutting action and reduce the risk of gouging the work piece.

When using the scraper blade to cut carpet, place a scrap work piece under the carpet where the cut is being made. Set the speed to #6, turn the tool so the scraper blade is at right angles (perpendicular) to the carpet and then feed the blade into the carpet.



# MAINTENANCE

## GENERAL

**⚠ WARNING: When servicing, use only identical replacement parts. The use of any other part may create a hazard or cause product damage.**

DO NOT use solvents when cleaning plastic parts. Plastics are susceptible to damage from various types of commercial solvents and may be damaged by their use. Use a clean cloth to remove dirt, dust, oil, grease etc.

**⚠ WARNING: Do not allow brake fluids, gasoline, petroleum-based products, penetrating oils, etc. to come into contact with plastic parts. They contain chemicals that can damage, weaken or destroy plastic.**

DO NOT abuse power tools. Abusive practices can damage the tool and the work piece.

**⚠ WARNING: DO NOT attempt to modify tools or create accessories. Any such alteration or modification is misuse and could result in a hazardous condition leading to possible serious injury. It will also void the warranty.**

## LUBRICATION

All of the bearings in this tool are lubricated with a sufficient amount of high-grade lubricant for the life of the unit under normal conditions. Therefore, no further lubrication is required.

WARRANTY CARD

***FastCraft*<sup>®</sup> OSCILLATING TOOL WARRANTY**

send email to: [FASTCRAFT@NYCLCOMPANY.COM](mailto:FASTCRAFT@NYCLCOMPANY.COM)

**SAVE YOUR RECEIPTS. THIS WARRANTY IS VOID WITHOUT THEM.**

***Distributed by: NYCL Company<sup>®</sup>***

**Oscillating Multi Tool**

**Model #: 86225-1**